

STUDIO

Ideal for sandstone block work



The STUDIO is the saw in our range with the biggest blade possibility. It is specifically used by our sandstone customers around Australia and can accommodate a cutting blade up to 1000mm in diameter which enables a work place of up to 370mm to be cut.

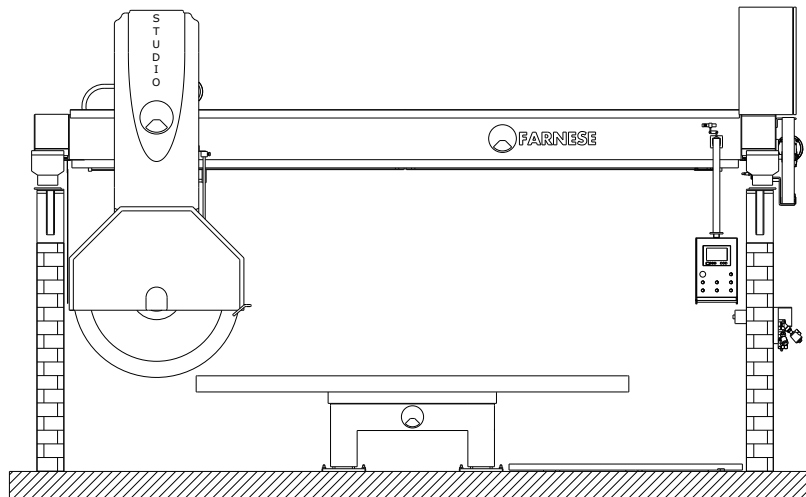
The machine's main beam and head are made of high strength steel. The beam is machined to achieve maximum straightness and smoothness in the cut. The table is fabricated and machined to obtain maximum flatness and accuracy in the working plane. This table can be tilted on request. The head manual tilts from vertical through to 60 degrees and is able to step cut at the set angle.

The paint used throughout the machine is a two pack undercoat, with a splatter finish (top) coat and a colour finished coat. This makes the paint more resistant to corrosion and scratches. All the parts are sand blasted first and the coated with the protective coating for longevity. The STUDIO is supplied with a standard table for heavy sandstone and monumental work.

*Laser indicator and tilt table can be supplied as an option.

STUDIO

Ideal for sandstone block work



TECHINICAL SPECIFICATIONS

DIMENSIONS OF INSTALLED MACHINE	METRIC	IMPERIAL
WIDTH	5800 mm	228.3 in
DEPTH	5800 mm	228.3 in
HEIGHT	3500 mm	137.8 in
WEIGHT	4000 kg	8800.0 lb

TABLE		
WIDTH	3200 mm	126.0 in
DEPTH	1800 mm	70.9 in
HEIGHT	750 mm	29.5 in
ROTATION	YES	YES
TILT	OPTIONAL	OPTIONAL

FEATURES & FEEDS		
X STROKE (CROSS TRAVEL STROKE)	3600 mm	141.7 in
Y STROKE (LONG TRAVEL STROKE)	3400 mm	133.9 in
Z STROKE (HEAD UP AND DOWN)	600 mm	23.6 in
BLADE DIAMETER (MAX)	1000 mm	39 in
BLADE SHAFT DIAMETER	60 mm	2.36 in
BLADE TILT	0-45°	0-45°
MANUAL GREASING	YES	YES
HEAD ROTATION	OPTIONAL	OPTIONAL
LASER CUTTING GUIDE	YES	YES
MAIN SPINDLE POWER	14.6 kW	20 hp
MAIN SPINDLE SPEED	960 rpm	1140rpm
POWER REQUIRED	400V 3ph 50Hz	208V 3ph 60Hz
	40A + Neutral	80A

CONNECTIONS REQUIRED (SUPPLIED BY CUSTOMER)
POWER, WATER, COMPRESSED AIR.

*TOOLING | CONSULT YOUR LOCAL FARNESE DEALER FOR ANY TOOLING REQUIRED



www.farnese.com.au

Owing to the constant updating of our designs, descriptions and technical data shown in our drawings and folders are not binding. Possible alterations deemed by the makers as convenient will be effected at any time without previous notice.